

Oct. 20, 1931.

A. D. SILVA

1,828,688

AMPLIFYING SYSTEM

Original Filed May 10, 1929

UNITED STATES PATENT OFFICE

Fig. 1.

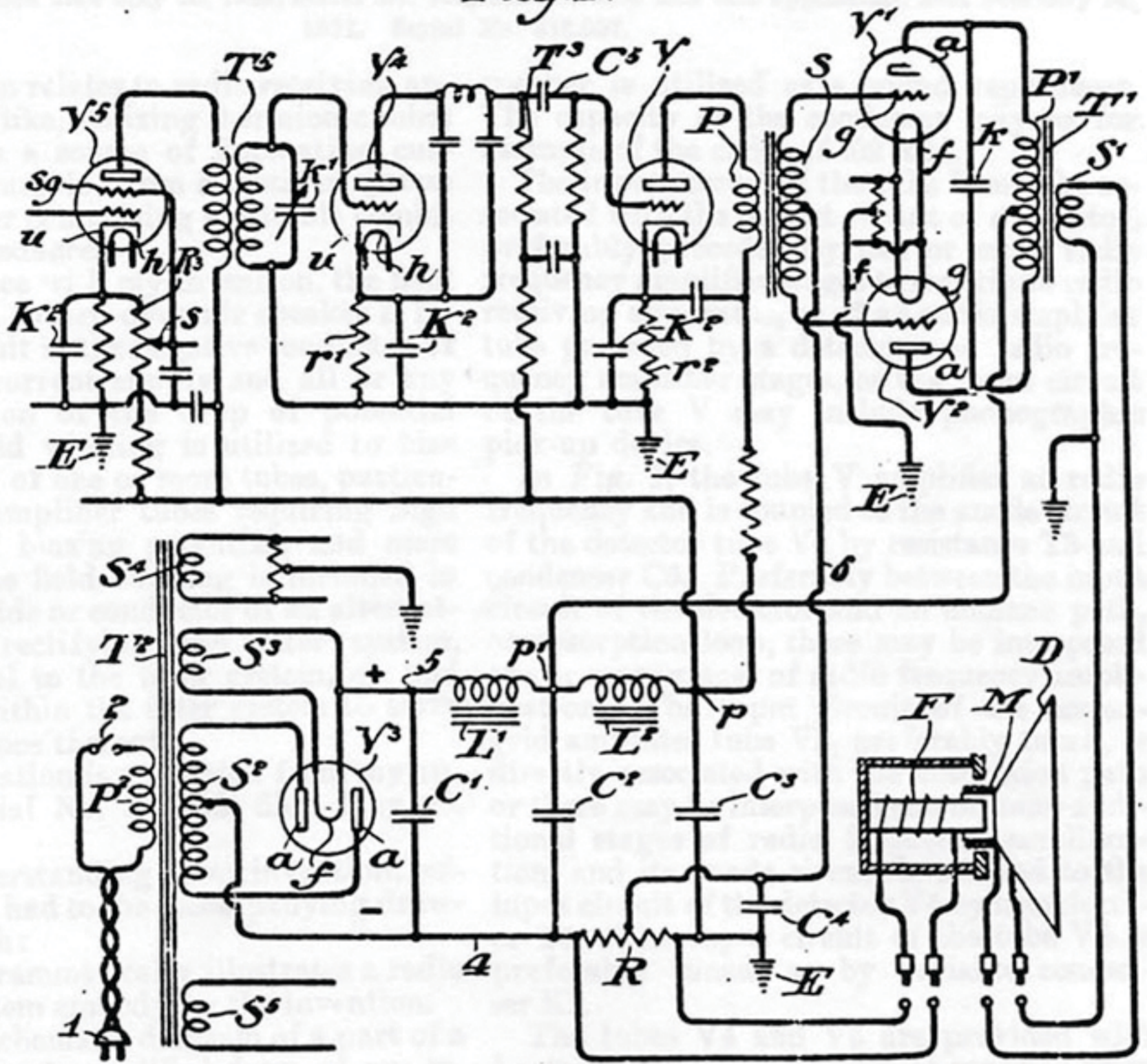


Fig. 3.

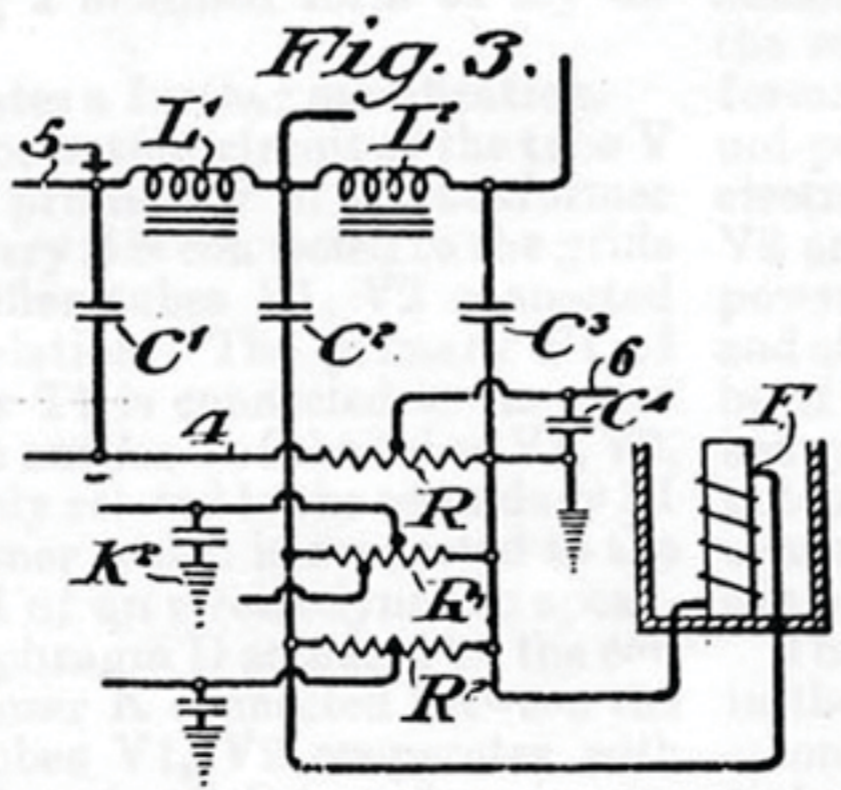
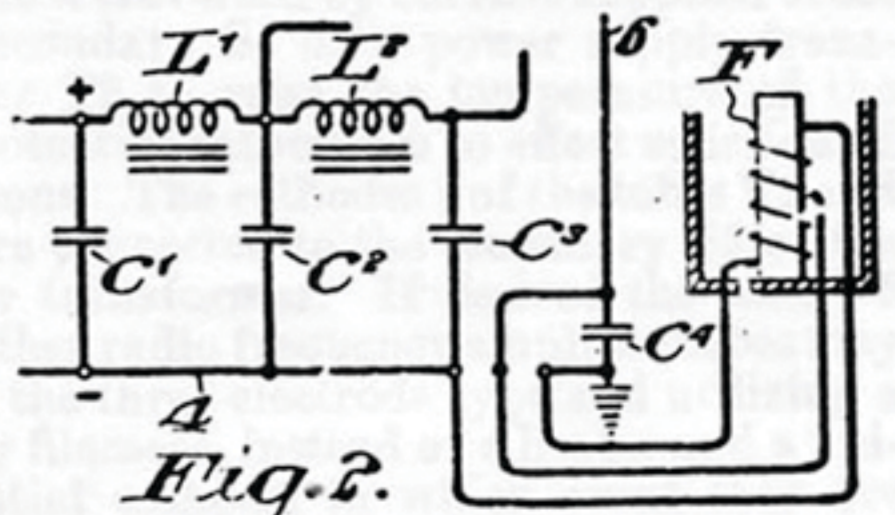


Fig. 2.



Inventor:
 Albert L. Silva
 By
 Kenneth L. E. Lett
 Attorney.